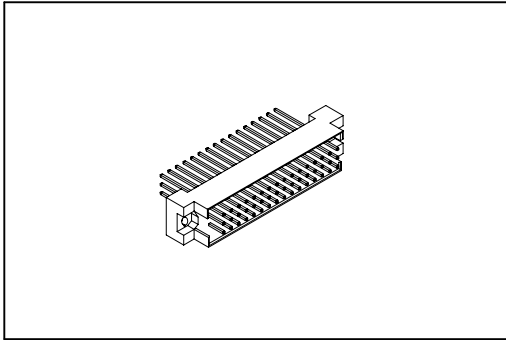


9001 Series

DIN41612 Half R Type Male



Material:

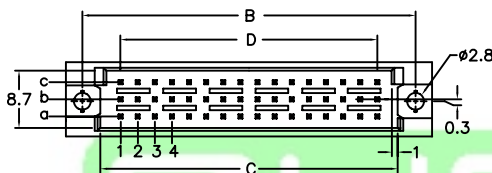
Housing: 30% Glass Filled PBT UL94V-0.
Contacts: Brass.

Electrical Characteristics:

Current Rating: 2 A.
Dielectric Withstanding Voltage: AC 1000V.
Insulator Resistance: 1000MΩ min.
Contact Resistance: 30mΩ max.
Operating Temperature: -55°C ~ +105°C .

Features:

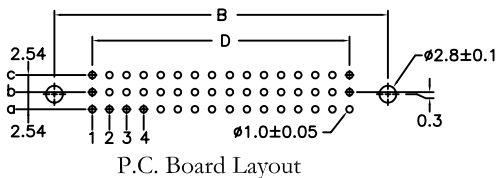
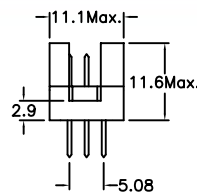
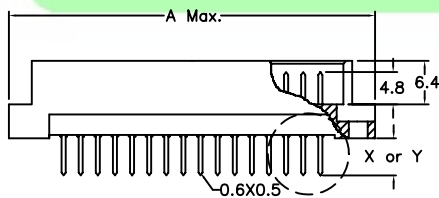
- * UL, cUL listing.
- * Mates with Female 3Row Half
9001-1648, 1632 Half C Type.
9001-1848, 1832 Half R Type.



Dip Type



Press Fit Type



Length	1	2	W1	W2
X	4.0	2.5	13	17
Y	4.6	6.3	13	17

Dimension				
Position	A	B	C	D
48/32/24/16/8	55.0	49.36	44.60	38.10
30/20/15/10/5	39.8	34.12	29.36	22.86
Pitch	Position	Rows with Contacts	Contact Arrange	
2.54mm	48	a b c		
	32	a - c		
	30	a b c		
	20	a - c		
	16	a - -		
5.08mm	10	a - -		
	24	a b c		
	16	a - c		
	15	a b c		
	10	a - c		
	8	a - -		
	5	a - -		

Ordering information

9001-	<u>1</u>	<u>7</u>	<u>48</u>	<u>1</u>	<u>C</u>	<u>00</u>	<u>P</u>	<u>L1</u>	<u>A</u>
Series	1: 2.54mm 2: 5.08mm	7: Male	Position	1: Dip Length 2: Dip Length W1: Dip Length W2: Dip Length	C: Dip Tin Contact Gold G: Gold	00: G/F 10: 10μ" 15: 15μ" 30: 30μ"	Blank: Dip P: Press Fit	Blank: W/O Lock L1: With Lock See Page CA04	A: Tray Package

*Standard Gold Flash.