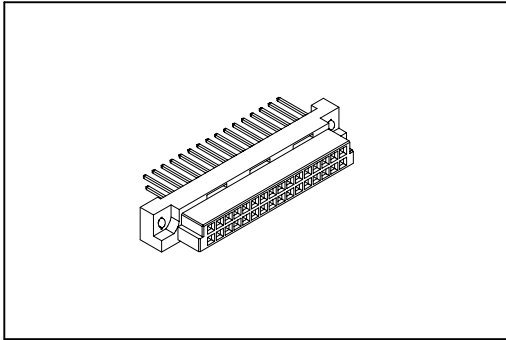


9001 Series

DIN41612 Half B Type Female



Material:

Housing: 30% Glass Filled PBT UL94V-0.

Contacts: Phosphor Bronze.

Electrical Characteristics:

Current Rating: 2 A.

Dielectric Withstanding Voltage: AC 1000V.

Insulator Resistance: 1000MΩ min.

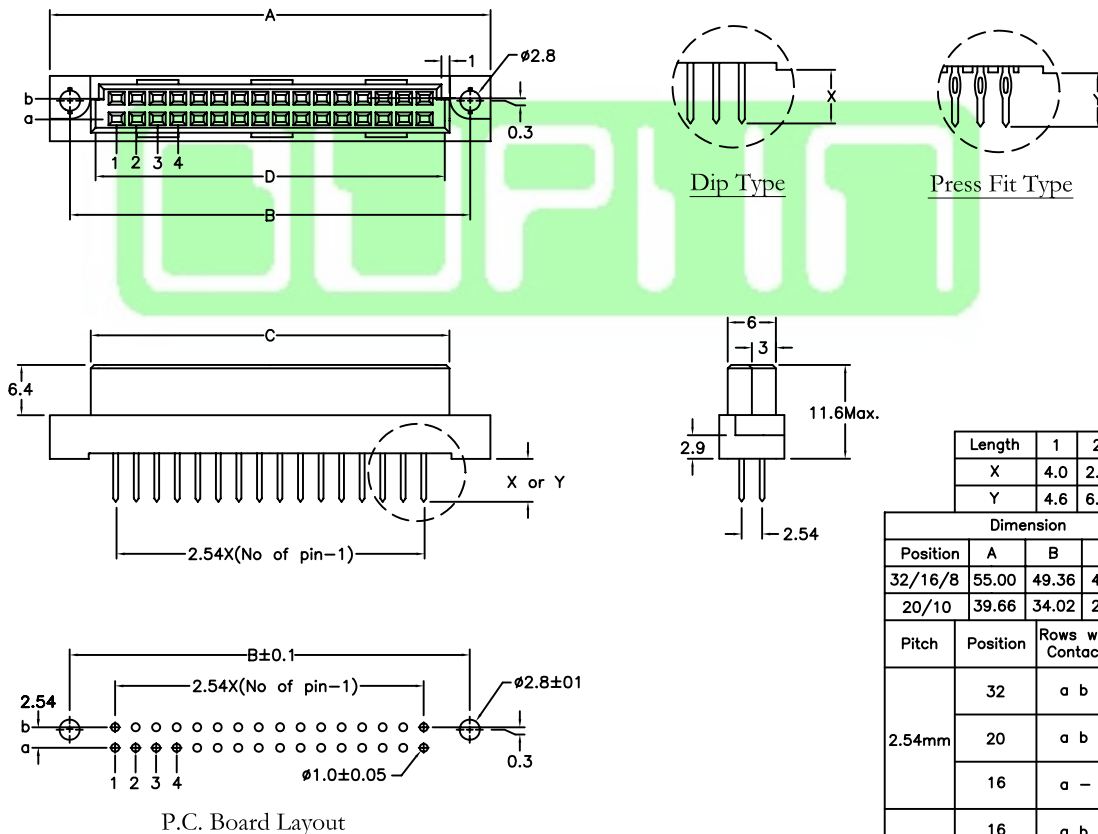
Contact Resistance: 30mΩ max.

Operating Temperature: -55°C ~+105°C .

Features:

* UL, cUL listing.

* Mates with Male 2Row Half
9001-3732,3716 Half Q Type.
9001-3532,3516 Half B Type.



Length	1	2	W1	W2
X	4.0	2.5	13	17
Y	4.6	6.3	13	17

Dimension				
Position	A	B	C	D
32/16/8	55.00	49.36	44.40	43.50
20/10	39.66	34.02	29.10	27.86
Pitch	Position	Rows with Contacts	Contact Arrange	
2.54mm	32	a b		
	20	a b		
	16	a -		
5.08mm	16	a b		
	10	a b		
	8	a -		

Ordering information

Series	3	6	32	1	C	00	P	L1	A
	3: 2.54mm 4: 5.08mm	6: Female	Position	1: Dip Length 2: Dip Length W1: Dip Length W2: Dip Length	C: Dip Tin Contact Gold G: Gold	00: G/F 10: 10μ" 15: 15μ" 30: 30μ"	Blank: Dip P: Press Fit	Blank: W/O Lock L1: With Lock	A: Tray Package See Page CA04

*Standard Gold Flash.