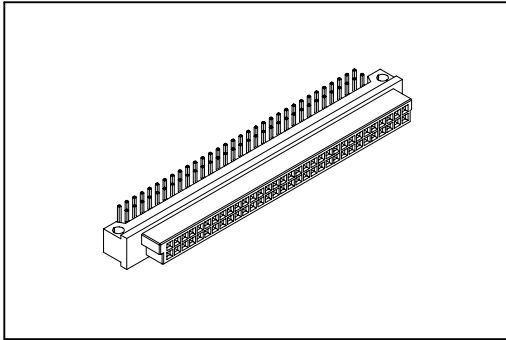


# 9001 Series

## DIN41612 Q Type Female



### Material:

Housing: 30% Glass Filled PBT UL94V-0.

Contacts: Phosphor Bronze.

### Electrical Characteristics:

Current Rating: 2 A.

Dielectric Withstanding Voltage: AC 1000V .

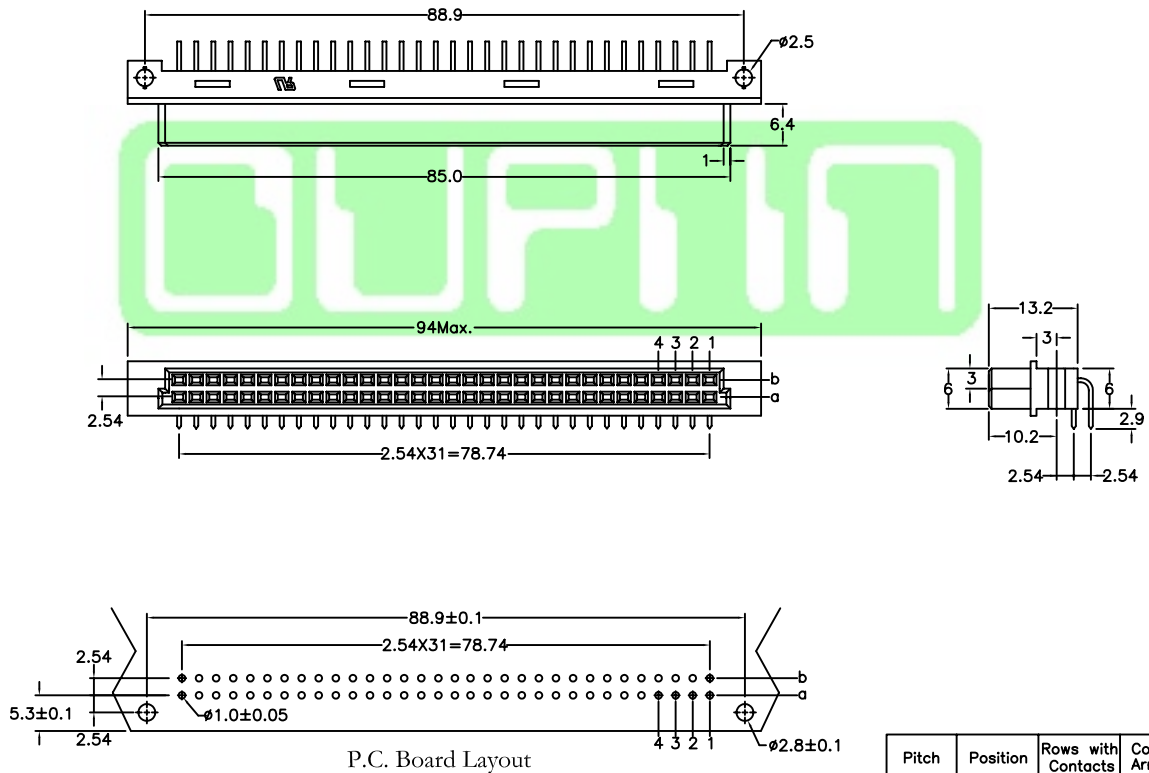
Insulator Resistance: 1000MΩ min.

Contact Resistance: 30mΩ max.

Operating Temperature: -55°C ~+105°C .

### Features:

- \* UL, cUL listing.
- \* Mates with Male 2Row  
9001-3364,3332 Q Type.  
9001-3164,3132 B Type.



Pitch	Position	Rows with Contacts	Contact Arrange
2.54mm	64	a b	
	32	a -	
5.08mm	32	a b	
	16	a -	

## Ordering information

<u>9001-</u>	<u>3</u>	<u>4</u>	<u>64</u>	<u>1</u>	<u>C</u>	<u>00</u>	<u>L1</u>	<u>A</u>
Series	3: 2.54mm 4: 5.08mm	4: Female	Position	1: Dip Length	C: Dip Tin Contact Gold G: Gold	00: G/F 10: 10μ" 15: 15μ" 30: 30μ"	Blank: W/O Lock L1: With Lock See Page CA04	A: Tray Package

\*Standard Gold Flash.