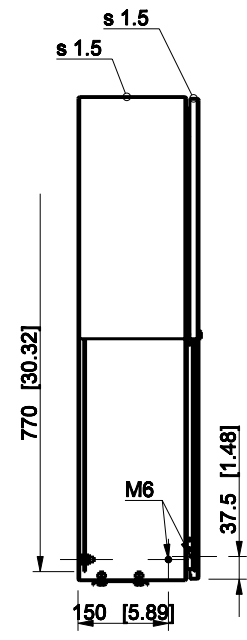
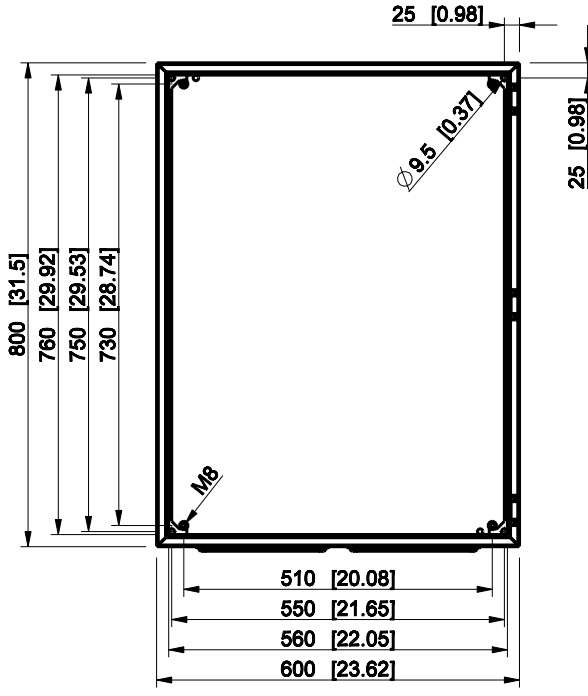
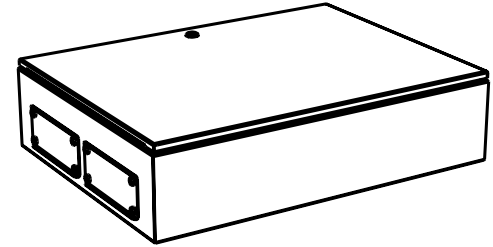
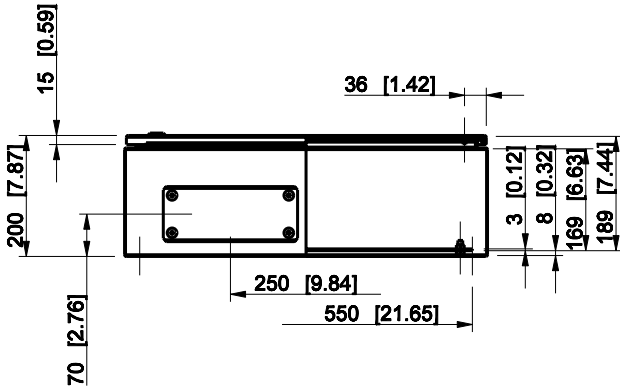


ID	Description	Date	By	Appr.
A				



Flange opening, type 2 (C/FL21)

Dimensions in mm [inches]

Material: Mild steel, polyester painted Color: RAL 7035

Supplier: Tool No: Weight [kg]: 29.38 Volume:



EFEF608020A

Scale	Date	17.12.08
1:12	By	PL/VLe
-	Checked	
-	Ctrl	

Replaces:	
Replaced:	
Drw No:	A
Ref:	Cubo E
Code:	EFEF608020A
Sheet No:	

model EFEF608020A PART
 drawing EFEF_2.drawing