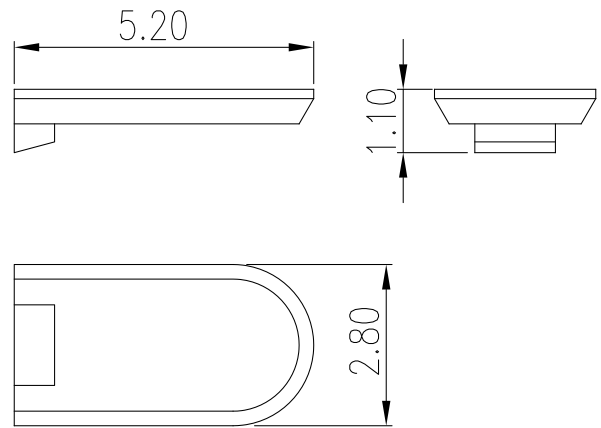


ECHK1



PCB Terminal Blocks > Accessories > Keycode



Specification

Product description	Keycode
Color	Orange
Material	PA
Inflammability class	UL94-V0
Compatible products	ECH350 Series, ECH381 Series, ECHP381 Series, ECHB350 Series, ECHB381 Series, ECH508 Series, EECH350 Series, EECH381 Series, 0221-25XX, 0221-33XX, 0221-39XX, 0221-41XX, 0221-51XX, 0221-52XX
Package	20000 pcs/box