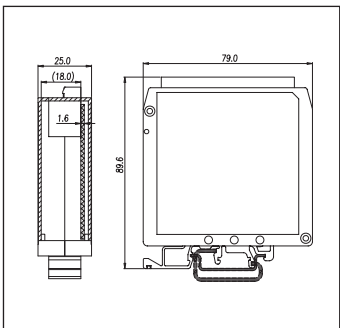




## DEGM-12P

|                       |                    |
|-----------------------|--------------------|
| <b>Width (mm)</b>     | 25.00mm            |
| <b>Color</b>          | <b>Part number</b> |
| ●                     | DEGM-12P-BK        |
| ●                     | DEGM-12P-GY        |
| <b>Accessories</b>    | <b>Part number</b> |
| Terminal block/Plug   | 2EHDRC-4375        |
| Terminal block/Socket | 2ESDV-12P          |

## Dimensions



## PCB Installing Dimensions

