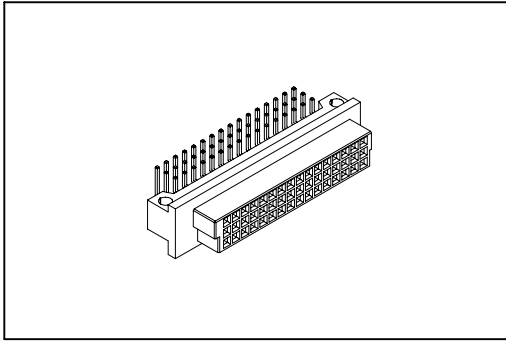


9001 Series

DIN41612 Half R Type Female



Material:

Housing: 30% Glass Filled PBT UL94V-0.

Contacts: Phosphor Bronze.

Electrical Characteristics:

Current Rating: 2 A.

Dielectric Withstanding Voltage: AC 1000V .

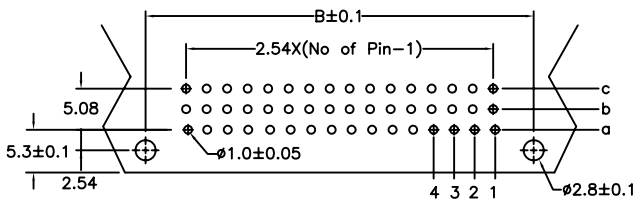
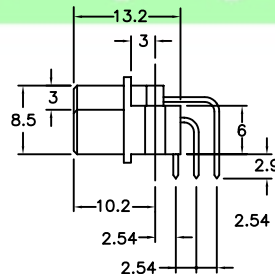
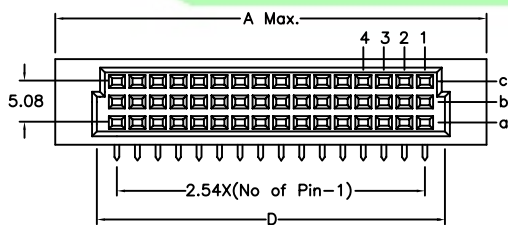
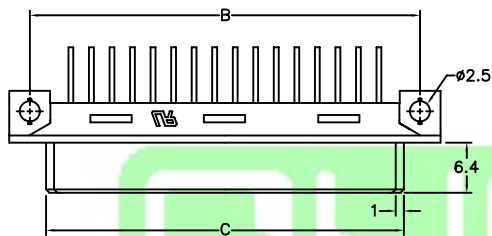
Insulator Resistance: 1000MΩ min.

Contact Resistance: 30mΩ max.

Operating Temperature: -55°C ~+105°C .

Features:

- * UL, cUL listing.
- * Mates with Male 3Row Half 9001-17 Half R Type. 9001-15 Half C Type.



P.C. Board Layout

Dimension				
Position	A	B	C	D
48/32/16/24/8	54.00	48.26	44.40	43.20
30/15	38.80	33.02	29.20	28.00
Pitch	Position	Rows with Contacts	Contact Arrange	
2.54mm	48	a b c		
	32	a - c		
	30	a b c		
5.08mm	16	a - -		
	24	a b c		
	16	a - c		
	15	a b c		
8	a - -			

Ordering information

<u>9001-</u>	<u>1</u>	<u>8</u>	<u>48</u>	<u>1</u>	<u>C</u>	<u>00</u>	<u>L1</u>	<u>A</u>
Series	1: 2.54mm 2: 5.08mm	8: Female	Position	1: Dip Length	C: Dip Tin Contact Gold G: Gold	00: G/F 10: 10μ" 15: 15μ" 30: 30μ"	Blank: W/O Lock L1: With Lock See Page CA04	A: Tray Package

*Standard Gold Flash.