

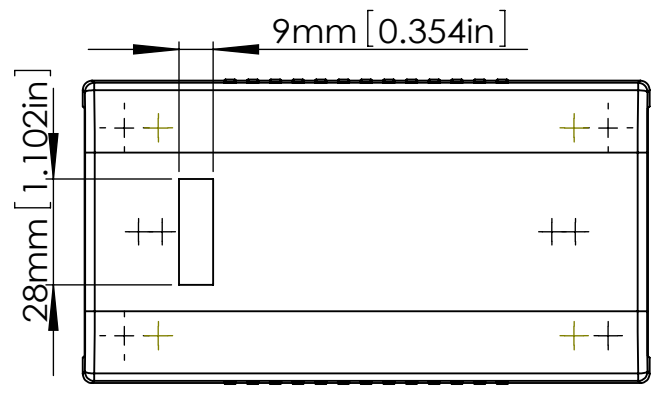
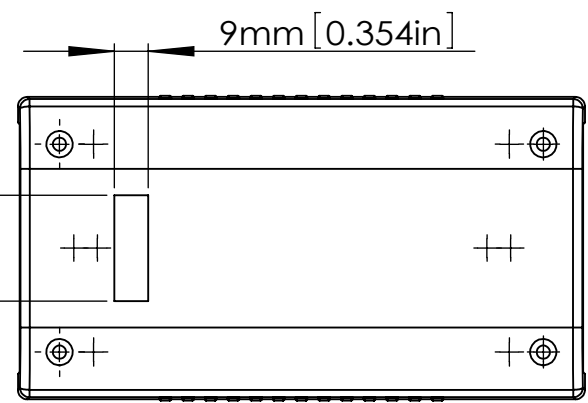
SECTION B-B

SECTION D-D

FOUR(4) M3X21mm  
FLAT HEAD SCREWS

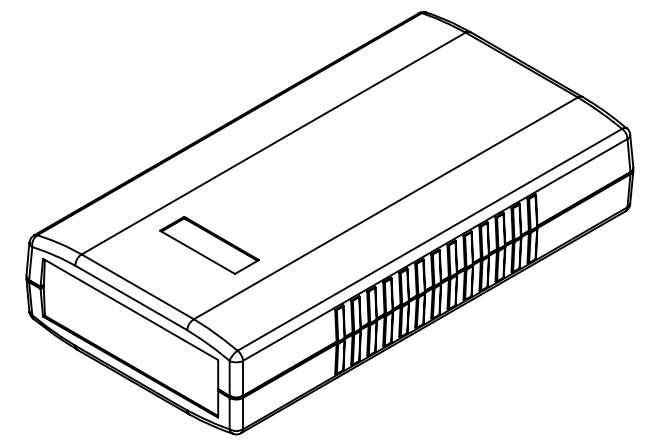
$\phi 2.50\text{mm}$  [0.098in]

$\phi 2.50\text{mm}$  [0.098in]



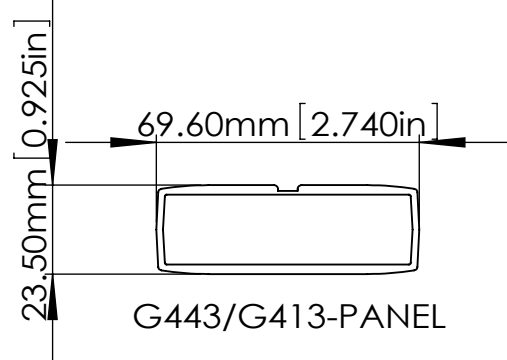
SECTION A-A

SECTION C-C

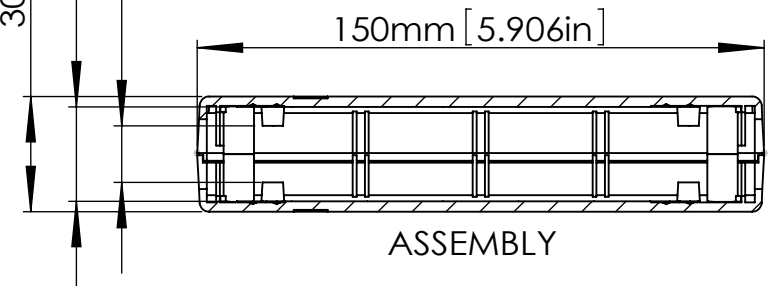


17.20mm [0.677in]  
4mm [0.157in]  
2.50mm [0.098in]

15mm [0.591in]  
4mm [0.157in]  
2.50mm [0.098in]



30.50mm [1.201in]  
25mm [0.984in]  
15mm [0.591in]



ASSEMBLY

According to ISO 2768-m	
Measuring DIM=L	Tolerances
0.5<L<=3.0mm	±0.1mm
3.0<L<=6.0 mm	±0.1mm
6.0<L<=30.0 mm	±0.2mm
30.0<L<=120.0 mm	±0.3mm
120.0<L<=400.0 mm	±0.5mm
400.0<L<=1000.0 mm	±0.8mm

宣又實業有限公司 GAINTA INDUSTRIES LTD.	繪圖	DRA'D BY	日期	DATE	材質	MATE.	圖名TITLE:	圖號DWG NO:	版次REVISID:
		JACKY	2019/12/11		ABS		G443 G413		B