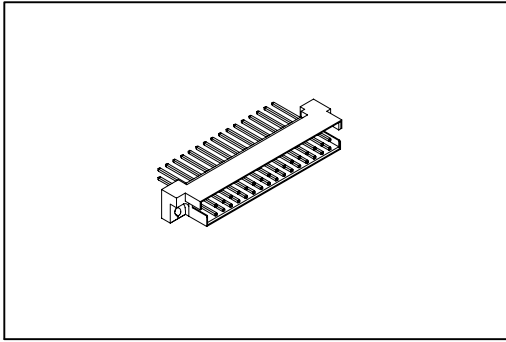


# 9001 Series

## DIN41612 Half Q Type Male



### Material:

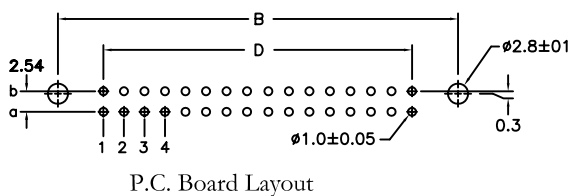
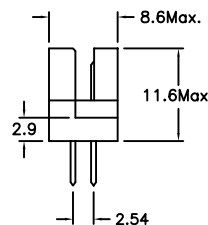
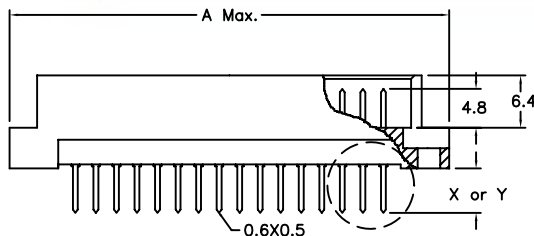
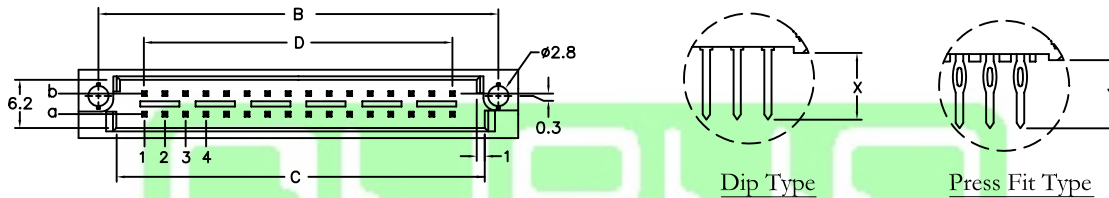
Housing: 30% Glass Filled PBT UL94V-0.  
Contacts: Brass.

### Electrical Characteristics:

Current Rating: 2 A.  
Dielectric Withstanding Voltage: AC 1000V .  
Insulator Resistance: 1000MΩ min.  
Contact Resistance: 30mΩ max.  
Operating Temperature: -55°C ~+105°C .

### Features:

- \* UL, cUL listing.
- \* Mates with Female 2Row Half 9001-3632,3616 Half B Type. 9001-3832,3816 Half Q Type.



Length	1	2	W1	W2
X	4.0	2.5	13	17
Y	4.6	6.3	13	17

Dimension				
Position	A	B	C	D
32/16/8	55.0	49.36	44.60	38.10
20/10/5	39.8	34.12	29.36	22.86

Pitch	Position	Rows with Contacts	Contact Arrange
2.54mm	32	a b	b- a- 1234
	20	a b	b- a- 1234
	16	a -	b- a- 1234
	10	a -	b- a- 1234
5.08mm	16	a b	b- a- 1234
	10	a b	b- a- 1234
	8	a -	b- a- 1234
	5	a -	b- a- 1234

## Ordering information

9001-	3	7	32	1	C	00	P	L1	A
Series	3: 2.54mm 4: 5.08mm	7: Male	Position	1: Dip Length 2: Dip Length W1: Dip Length W2: Dip Length	C: Dip Tin Contact Gold G: Gold	00: G/F 10: 10μ" 15: 15μ" 30: 30μ"	Blank: Dip P: Press Fit	Blank: W/O Lock L1: With Lock See Page CA04	A: Tray Package

\*Standard Gold Flash.