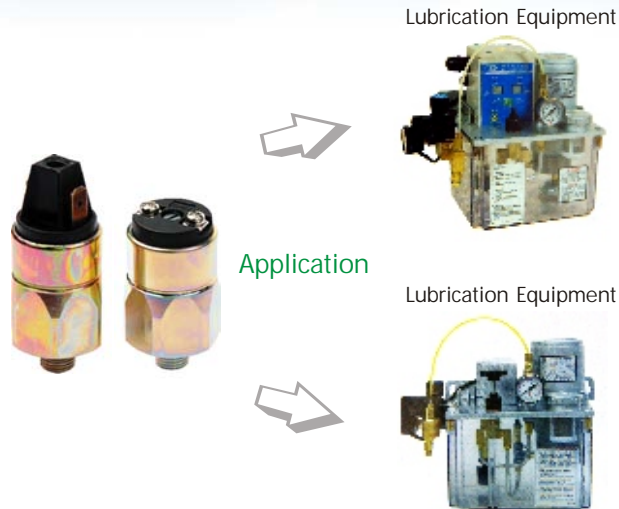


Pressure Switch



Working Principle

When diaphragm is pressurized through the connection in the application and the pressure is greater than the force of the compression spring, the contact will open/close and signal will be sent out to the system. The purpose of installing pressure switch in the system is to accommodate measuring and controlling for the application process.

Product Feature

1. Robust in any deterioration environment
2. Customer design in selection metal shell and contact point materials (Silver / Gold)
3. Standout output in terminals contact or plug contact
4. Highest performance / Low cost
5. User friendly tuning to set pressure range

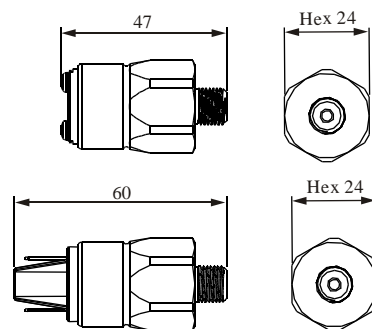
Product Specification

1. Body: 1215 Zinc plating & HEX 24(ROHS defines)
2. Operating Voltage: 42Vdc or 220Vac
3. Switching Current Load: Max. 3A
4. Voltage Isolation: 300Volt
5. Response Frequency: 2Hz
6. Max. Voltage Peak: 1.5KV
7. Electrical Connection: Terminals & Plugs
8. Operation Temperature: -10°C~90°C
9. Membrane Materials:

NBR (Standard)	-30°C~100°C
VITON	-5°C~120°C
EPDM	-30°C~120°C
SILICON	-40°C~120°C
10. Pressure Range: 5~50 Bar
11. Pressure Acting Variation: $\pm 5\%$ full set point range @20°C
12. Piping Selection: M10x1 Taper (Standard)

1/8" NPT, 1/4" NPT
1/8" PT, 1/4" PT
1/8" G, 1/4" G
13. Contact Model: NO / NC
14. Body Protection: IP00
15. Pressure Switch Protection: IP67(in NBR)
16. Working Life: 1,00,000 cycles
17. Operation Lifetime: 1,000,000 cycles
18. Tightening Torque of terminal screws: <0.35Nm
19. Weight: Terminal Type---65g
Plug Type---68g

Product Dimension





Pressure Switch

Ordering Information

SQ **24** **5** - **L111** - **A** - **M1** - **D** - **W**

Hex Length

24---24mm

Body Material

5---1215 Zinc plating

Pressure & Pressure range

0X2: 0.1Bar 005: 5Bar
 1X2: 1.2Bar 006: 6Bar
 2X5: 2.5Bar 007: 7Bar 050: 50Bar

RS1: 0.2<RS1<20Bar

RL1: 1≤RL1 <20Bar

RM1: 20≤RM1<50Bar

Contact Form

A---NO, B---NC

Connection

M1---M10*1Taper(Standard) 1U---1 / 8" NPT 1V---1 / 8" G
 1Q---1 / 8" PT 2U---1 / 4" NPT 2V---1 / 4" G
 2Q---1 / 4" PT

Diaphragm Material

D---EPDM, N---NBR, S---SILICON, V---VITON

Wiring

W---screw

P--- push-on

Option:
 Body Protect Cover : SQA-1130
 Material :NBR
 Protection Grade: IP67



FineTek Co., Ltd.

No.16, Tzuchiang St., Tucheng Industrial Park, Taipei Hsien, Taiwan

Tel: 886-2-22696789

Fax: 886-2-22686682

e-mail: info@fine-tek.com

<http://www.fine-tek.com>

