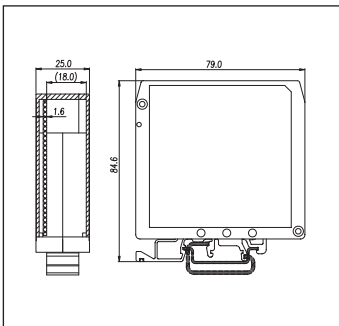


DEGM-03P

Width (mm)	25.00mm
Color	Part number
●	DEGM-03P-BK
●	DEGM-03P-GY
Accessories	Part number
Terminal block/Plug	DEGM-TB3P
Terminal block/Socket	

Dimensions



PCB Installing Dimensions

