



Main Feature

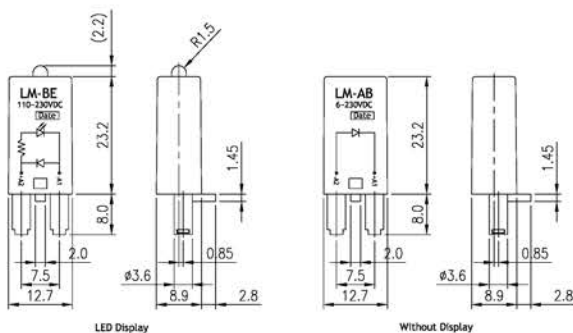
- Easy insertion into the socket.
- Wiring is in parallel to the coil.
- LED Module: RoHS compliance (Directive 2002/95/EC).
- LED Display and Protection Modules.



Area illustration:

	Area	Wiring Diagrams	Area	Wiring Diagrams
(A)	(B)		(C)	
(D)	(E)		(F)	
(G)	(H)		(J)	

Dimensions



Order Information

LM - CG - G

LED color	NH (for red LED) G (for green LED) Y (for yellow LED)
Area code	A (AC, AB) B (BC, BD, BE) C (CF, CG, CH, CF) D (DI, DJ, DK) E (EL, EM, EN) F (FO, FP, FQ, FR) G (GR, GS, GT) H (HU) J (JV, JW, JX)
Item	LM