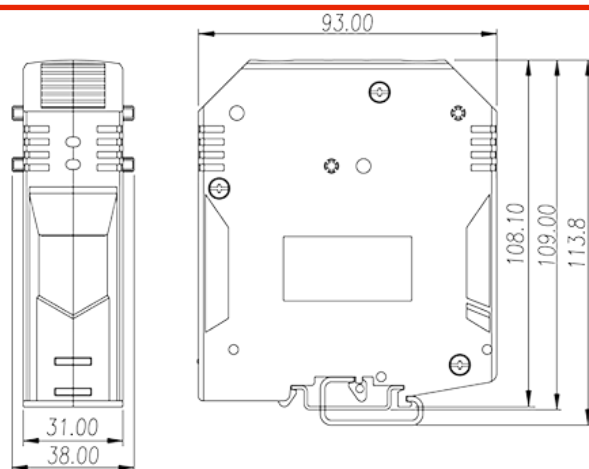
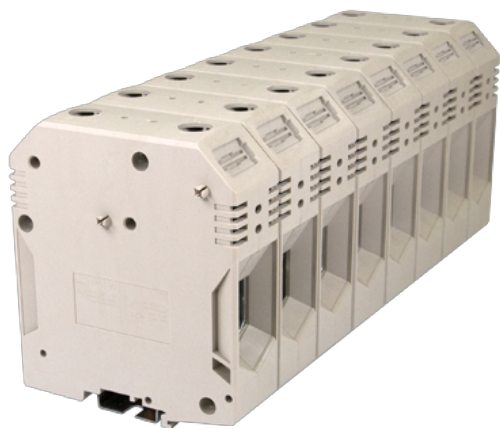


DK150

DIN Rail Terminal Blocks > Screw Connection



The web catalog is for reference only. Dinkle remains the right of product modification and engineering change of the design. The final product is made according to engineering drawing.

Product Description

M8, 600V, 190A, Beige (default)

General information

Short description	DIN rail terminal blocks, Feed through terminal blocks
Category	Feed through terminal blocks
Color	Beige (default)
Connection method	Screw connection
Type of locking	Rail mounting
Length (mm)	93
Width (mm)	38
Height (mm)	108.1
Number of positions	□1P
Level	Single level
Connection points	2

Material information

Insulation material	PA
Insulation material group	I
Flame retardant rating , compliant with UL94	V0

Insulation resistance

□500MΩ at DC 500V

Connection data-IEC

Rated voltage (V)	1000
Rated current (A)	192
Rated voltage (III/3)(V)	1000
Rated impulse voltage (II/2)(KV)	8
Rated impulse voltage (III/2)(KV)	8
Rated impulse voltage (III/3)(KV)	8
Conductor cross section solid. min (mm ²)	35
Conductor cross section solid.max (mm ²)	150
Conductor cross section stranded. min (mm ²)	35
Conductor cross section stranded. max (mm ²)	150
Conductor cross section flexible, with min ferrule without plastic sleeve (mm ²)	10
Conductor cross section flexible, with max ferrule without plastic sleeve (mm ²)	70
Screw thread	M8
Slotted screwdriver size (Blade thickness x Width)(mm)	Hex socket 8
Philips screwdriver size	PH3
Rated torque (N.m)	18.6
Recommend tightening torque. min (N.m)	3.5
Recommend tightening torque. max (N.m)	4.2
Stripping Length (mm)	The stripping length depends on the specification provided by the cable lug manufacturer
Mounting rail	TS-35
End cover plate required	NO
Grounding connections	NO

Connection data-UL

Rated voltage (UL/CUL Group B)(V)	600
Rated current (UL/CUL Group B)(A)	190
Rated voltage (UL/CUL Group C)(V)	600
Rated current (UL/CUL Group C)(A)	190
Min. solid wire connection (AWG) acc. to UL/CUL	8
Max. solid wire connection AWG acc. to UL/CUL	3/0

Min. stranded wire connection AWG acc. to UL/CUL	8
Max. stranded wire connection AWG acc. to UL/CUL	3/0

Environment & Safety

Back of the hand protection (YES or NO)	YES
Finger protection (YES or NO)	NO
Operating temperature. max (°C)	120
Operating temperature. min (°C)	-40

UL Recognized

Wire Range (Group B)(AWG)	8~3/0
Rated voltage (Group B)(V)	600
Rated current (Group B)(A)	190
Wire Range (Group C)(AWG)	8~3/0
Rated voltage (Group C)(V)	600
Rated current (Group C)(A)	190

CUL Recognized

Wire Range (Group B)(AWG)	8~3/0
Rated voltage (Group B)(V)	600
Rated current (Group B)(A)	190
Wire Range (Group C)(AWG)	8~3/0
Rated voltage (Group C)(V)	600
Rated current (Group C)(A)	190

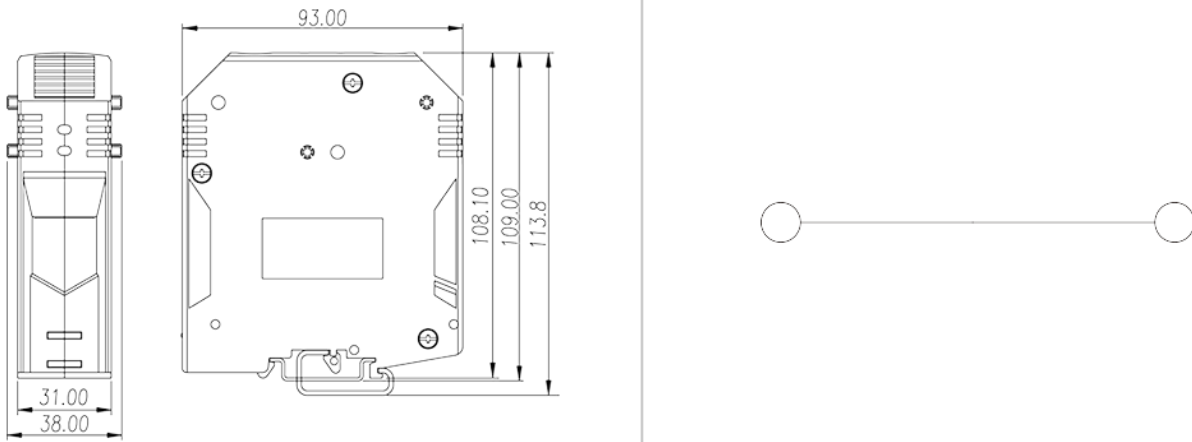
VDE Approval

Wire Range (mm ²)	10~70
Rated voltage (V)	1000
Rated current (A)	190

Explosion - proof Approvals

Wire Range (mm ²)	35~150
Rated voltage (V)	1000
Rated current (A)	309

Drawings



Approvals

