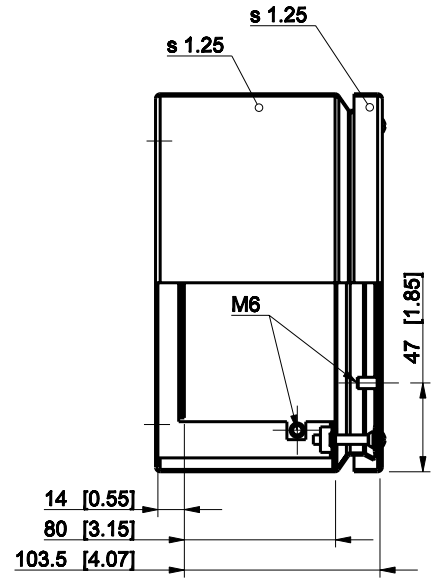
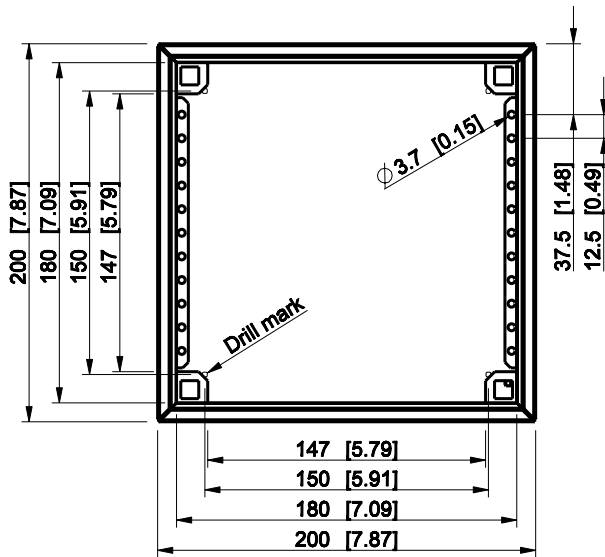
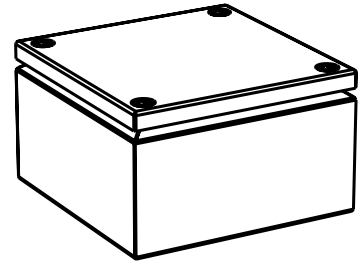
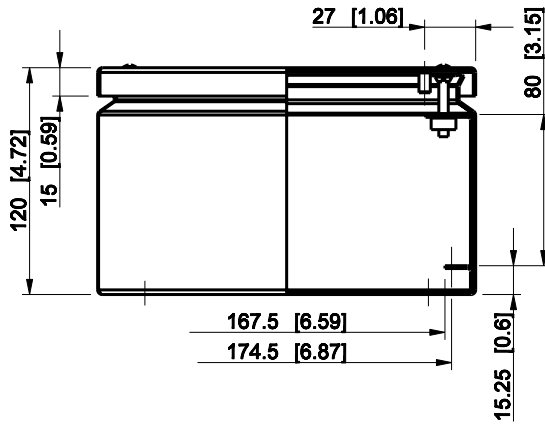


ID	Description	Date	By	Appr.
A				



Dimensions in mm [inches]

Material: Stainless steel, AISI 304	Color:
--	--------

Supplier:	Tool No:	Weight [kg]: 2.06	Volume:
-----------	----------	--------------------------	---------

ENSTO
ENSTO CONTROL OY



FSUP202012

Scale	Date	05.12.08
1:4	By	VLe
-	Checked	
-	Ctrl	

Replaces:	
Replaced:	
Drw No:	A
Ref:	Cubo F
Code:	FSUP202012
Sheet No:	

model FSUP202012_PART

drawing FSUP_DRAWING