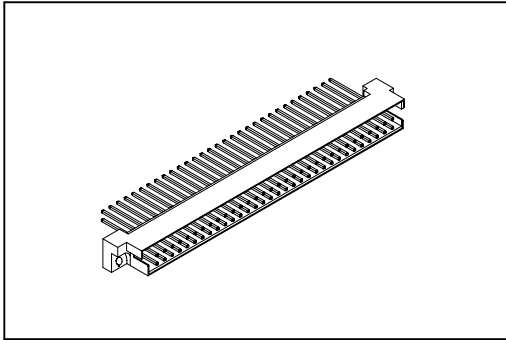


9001 Series

DIN41612 Q Type Male



Material:

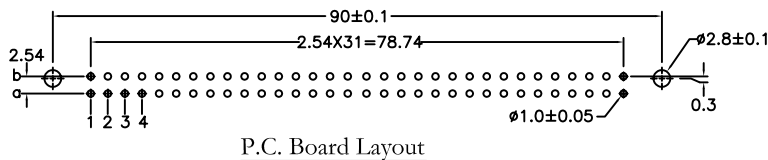
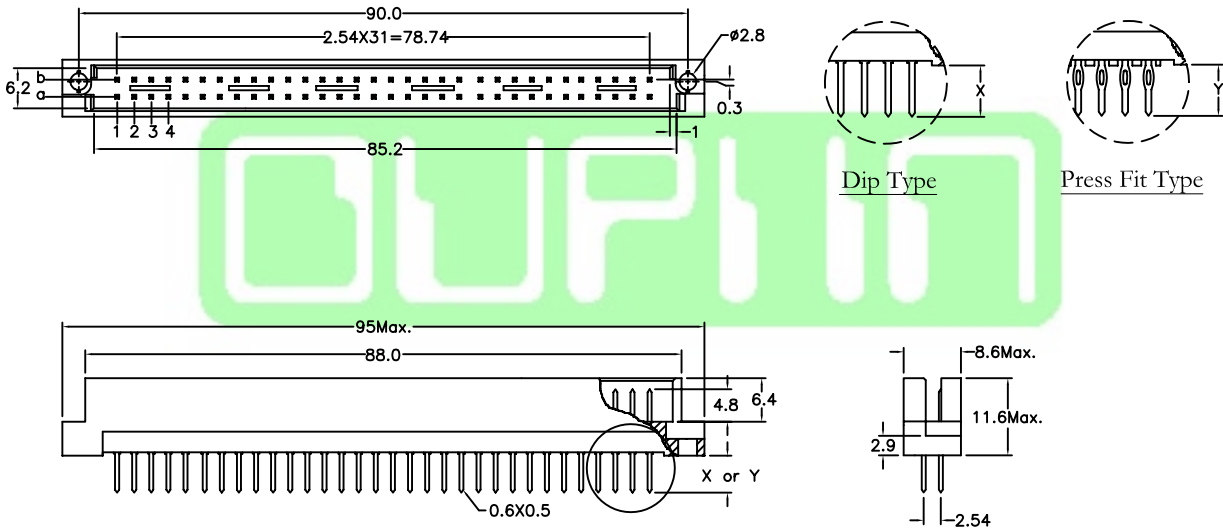
Housing: 30% Glass Filled PBT UL94V-0.
Contacts: Brass.

Electrical Characteristics:

Current Rating: 2 A.
Dielectric Withstanding Voltage: AC 1000V.
Insulator Resistance: 1000MΩ min.
Contact Resistance: 30mΩ max.
Operating Temperature: -55°C ~+105°C .

Features:

- * UL, cUL listing.
- * Mates with Female 2Row
9001-3264,3232 B Type.
9001-3464,3432 Q Type.
9001-3264 IDC Type.



Length	1	2	W1	W2
X	4.0	2.5	13	17
Y	4.6	6.3	13	17
Pitch	Position	Rows with Contacts	Contact Arrange	
2.54mm	64	a b		
	32	a -		
5.08mm	32	a b		
	16	a -		

Ordering information

Series	3	3	64	1	C	00	P	L1	A
Series	3: 2.54mm 4: 5.08mm	3: Male	Position	1: Dip Length 2: Dip Length W1: Dip Length W2: Dip Length	C: Dip Tin Contact Gold G: Gold	00: G/F 10: 10 μ " 15: 15 μ " 30: 30 μ "	Blank: Dip P: Press Fit	Blank: W/O Lock L1: With Lock See Page CA04	A: Tray Package

*Standard Gold Flash.