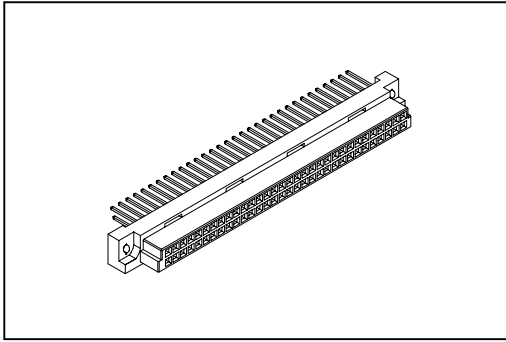


9001 Series

DIN41612 B Type Female



Material:

Housing: 30% Glass Filled PBT UL94V-0.

Contacts: Phosphor Bronze.

Electrical Characteristics:

Current Rating: 2 A.

Dielectric Withstanding Voltage: AC 1000V .

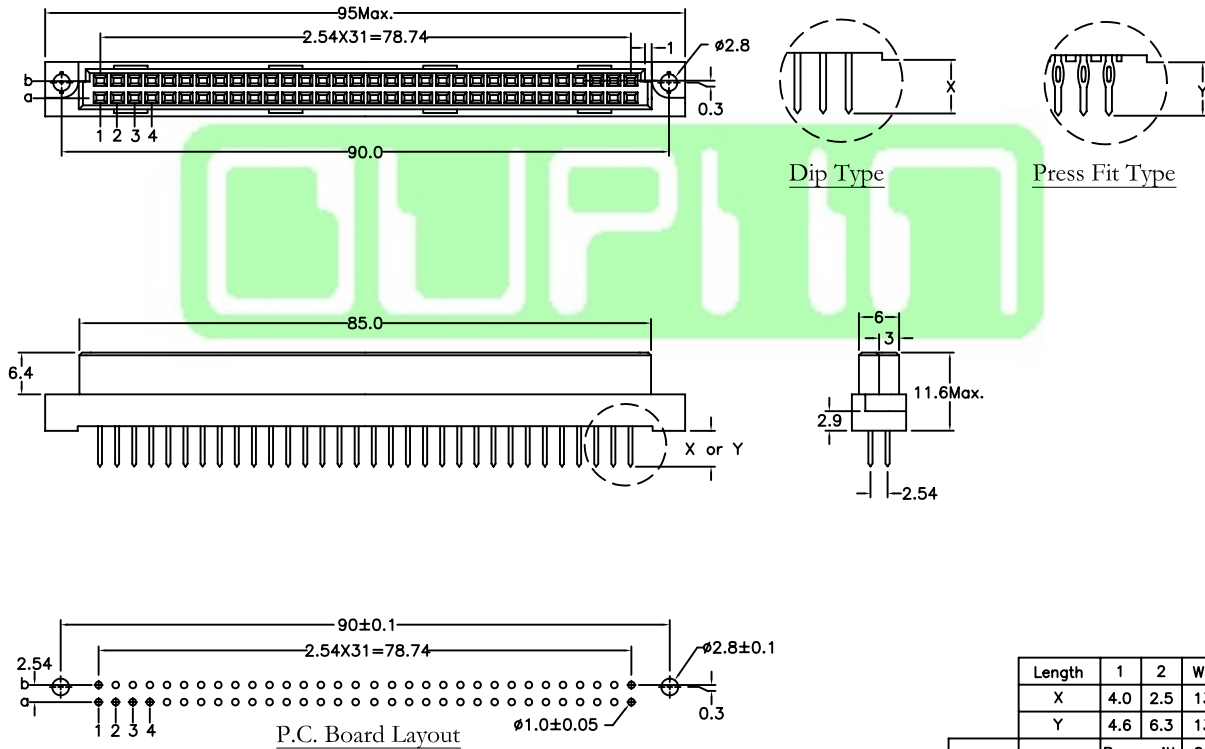
Insulator Resistance: 1000MΩ min.

Contact Resistance: 30mΩ max.

Operating Temperature: -55°C ~+105°C .

Features:

- * UL, cUL listing.
- * Mates with Male 2Row
9001-3164,3132 B Type.
9001-3364,3332 Q Type.



Length	1	2	W1	W2
X	4.0	2.5	13	17
Y	4.6	6.3	13	17
Pitch	Position	Rows with Contacts	Contact Arrange	
2.54mm	64	a b		
	32	a -		
5.08mm	32	a b		
	16	a -		

Ordering information

9001-	3	2	64	1	C	00	P	L1	A
Series	3: 2.54mm 4: 5.08mm	2: Female	Position	1: Dip Length 2: Dip Length W1: Dip Length W2: Dip Length	C: Dip Tin Contact Gold G: Gold	00: G/F 10: 10μ" 15: 15μ" 30: 30μ"	Blank: Dip P: Press Fit	Blank: W/O Lock L1: With Lock See Page CA04	A: Tray Package

*Standard Gold Flash.