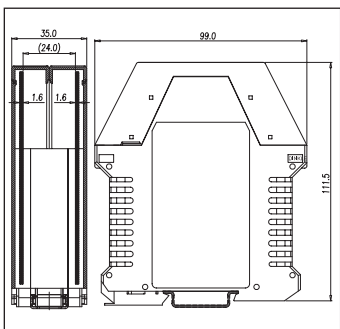




DMEN-S6PGG

Width (mm)	35.00mm
Color	Part number
●	DMEN-S6PKK
●	DMEN-S6PMM
Accessories	Part number
Top cover	DMEN-HS3TG0
Bottom housing	DMEN-HS6U0G
PCB connector socket (Left)	--
PCB connector socket (Right)	--
PCB terminal block (Left)	5ES-3PL
PCB terminal block (Right)	5ES-3PR
Safety Cover	5ES-3PC
Earthing plug	0073B01500
Part number (with grounding)	DMEN-S6PGG-PE

Dimensions



PCB installation layout

