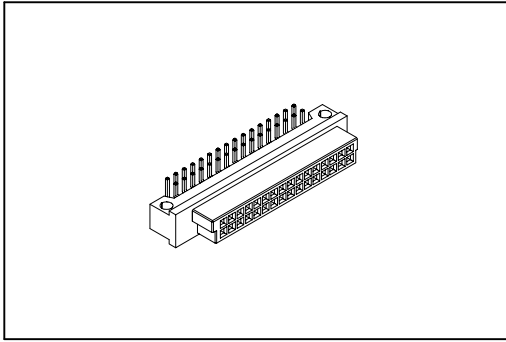


# 9001 Series

## DIN41612 Half Q Type Female



### Material:

Housing: 30% Glass Filled PBT UL94V-0.

Contacts: Phosphor Bronze.

### Electrical Characteristics:

Current Rating: 2 A.

Dielectric Withstanding Voltage: AC 1000V.

Insulator Resistance: 1000MΩ min.

Contact Resistance: 30mΩ max.

Operating Temperature: -55°C ~ +105°C .

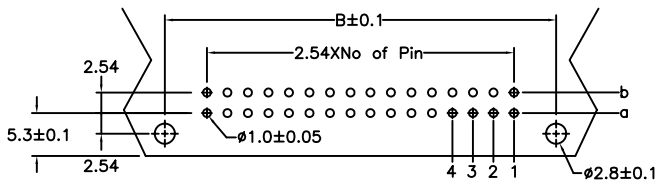
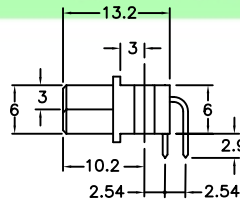
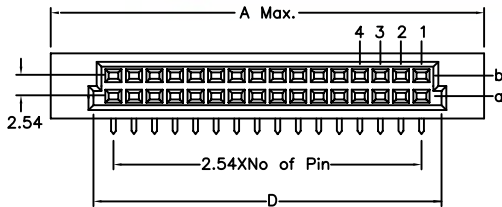
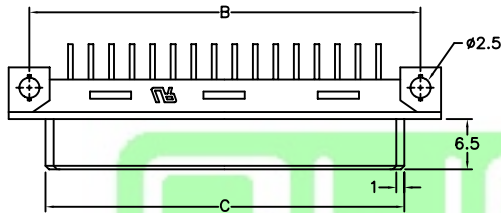
### Features:

\* UL, cUL listing.

\* Mates with Male 2Row Half

9001-37 Half Q Type.

9001-35 Half B Type.



P.C. Board Layout

Dimension				
Position	A	B	C	D
32/16/8	54.00	48.26	44.40	43.20
20/10	38.80	33.02	29.20	28.00
Pitch	Position	Rows with Contacts	Contact Arrange	
2.54mm	32	a b		
	20	a b		
	16	a -		
5.08mm	16	a b		
	10	a b		
	8	a -		

## Ordering information

<u>9001-</u>	<u>3</u>	<u>8</u>	<u>32</u>	<u>1</u>	<u>C</u>	<u>00</u>	<u>L1</u>	<u>A</u>
Series	3: 2.54mm 4: 5.08mm	8: Female	Position	1: Dip Length	C: Dip Tin Contact Gold G: Gold	00: G/F 10: 10μ" 15: 15μ" 30: 30μ"	Blank: W/O Lock L1: With Lock See Page CA04	A: Tray Package

\*Standard Gold Flash.