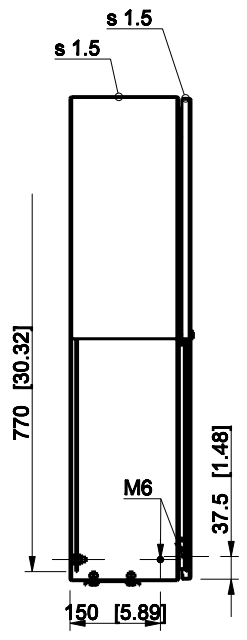
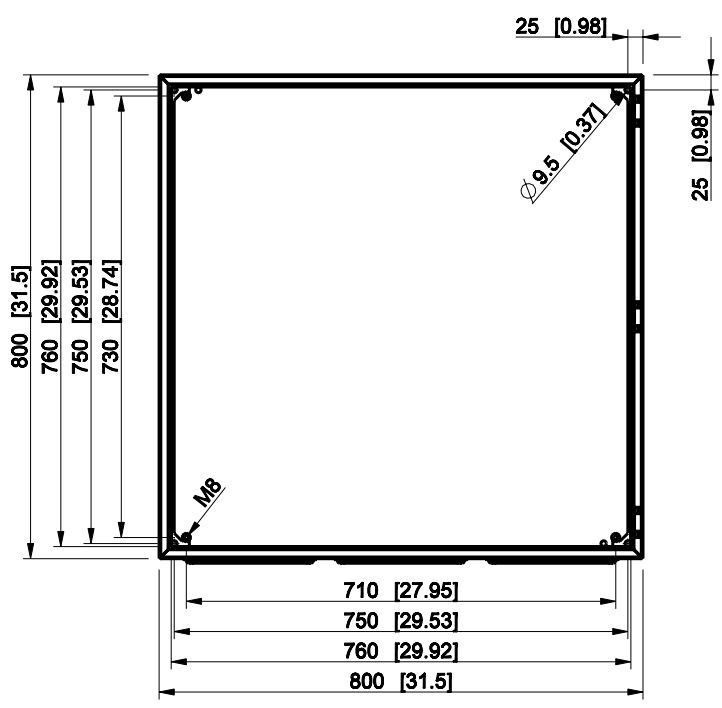
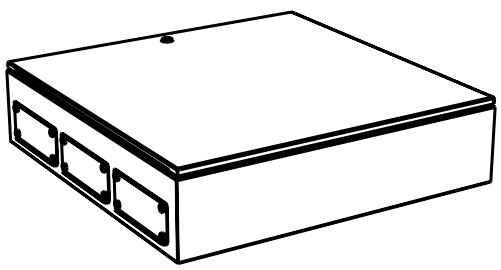
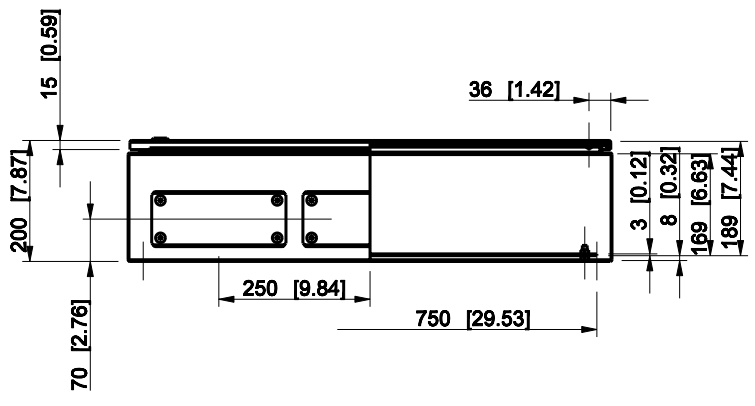


ID	Description	Date	By	Appr.
A				



Flange opening, type 2 (C/FL21)

Dimensions in mm [inches]

Material: Mild steel, polyester painted      Color: RAL 7035

Supplier:      Tool No:      Weight [kg]: 38.06      Volume:



EFEF808020A

Scale	Date	17.12.08
1:12	By	PL/VLe
-	Checked	
-	Ctrl	

Replaces:	
Replaced:	
Drw No:	A
Ref:	Cubo E
Code:	EFEF808020A
Sheet No:	

model EFEF808020A\_PART  
 drawing EFEF\_3\_DRAWING