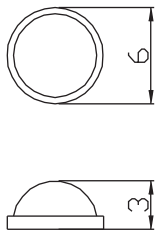
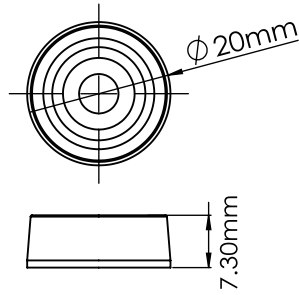


MATERIAL: RUBBER (SELF-ADHESIVE/WITH 3M GLUE) ; COLOR: BLACK

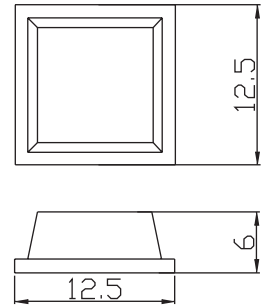
RF-1001



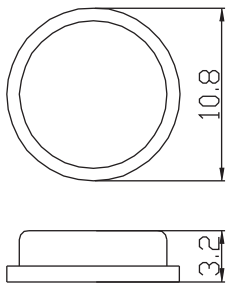
RF-1014



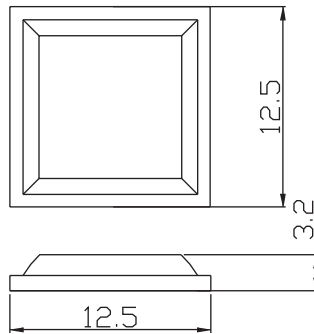
RF-3002



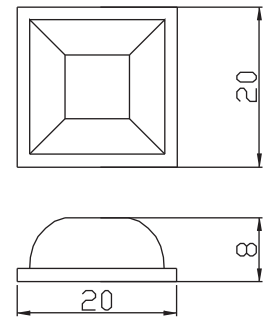
RF-1002



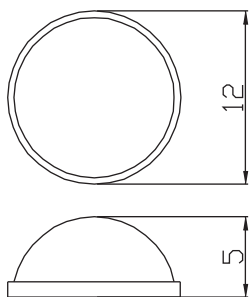
RF-2006



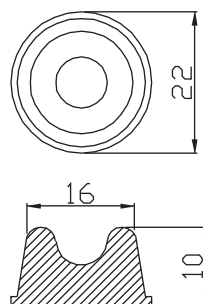
RF-3004



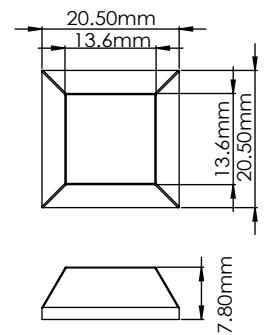
RF-1004



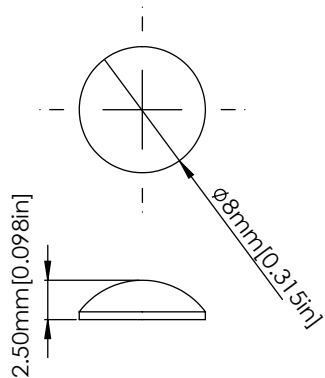
RF-2008



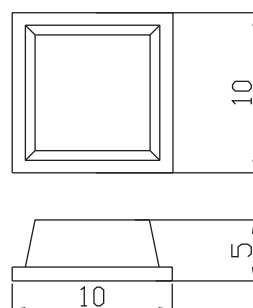
RF-3006



RF-1006



RF-3001



RF-4010

