

Stud Terminal Blocks



The DKM series is designed specifically for safety of electricity distribution in power industry. Only one wrench can finish the reliable connection for you. It also saves space in field wiring that allowed up to 4 wire lugs on each stud.

The stud terminal blocks provide the improved wiring secureness which can apply in high requirements in terms of vibration and shock resistance, such as vehicles, motor and transportation.

Dinkle offers 1 to 3 stud in each terminal block and available for wire size from 0.5mm² to 120 mm²

DKM

Accessories

Partition plate



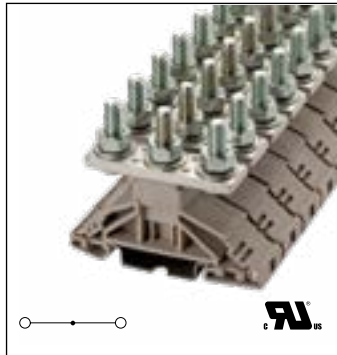
Safety cover



Marking label



DIN Rail



DKM6-2

Rated Data	UL	IEC
Rated Voltage (V)	1000	1000
Rated Current (A)	115	125
Rated impulse voltage	8KV	
Wire range (AWG/mm ²)	14~2	2.5~35

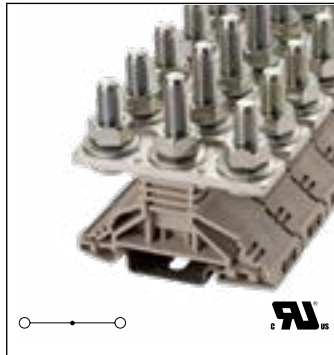
Connection Capacity

Max. Solid (mm ²)	35	
Max. Stranded (mm ²)	35	

General Data

Torque (N.m)	3~6	
Screws	M6	
Insulation material	PA	
T / W (mm)	19.5 / 67	
H / H on TS-35 (mm)	54 / 55	
Package	20	

Accessories	Part number	Package
	DKMSPS-002	50
	DKMC6	50
	TM49W	10
	TS-35	20



DKM8-2

Rated Data	UL	IEC
Rated Voltage (V)	1000	1000
Rated Current (A)	150	150
Rated impulse voltage	8KV	
Wire range (AWG/mm ²)	14~1/0	2.5~50

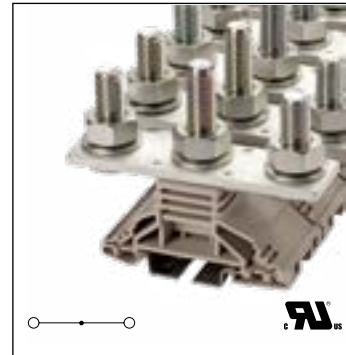
Connection Capacity

Max. Solid (mm ²)	50	
Max. Stranded (mm ²)	50	

General Data

Torque (N.m)	6~12	
Screws	M8	
Insulation material	PA	
T / W (mm)	24.5 / 68	
H / H on TS-35 (mm)	63 / 64	
Package	20	

Accessories	Part number	Package
	DKMSPS-002	50
	DKMC8	50
	TM49W	10
	TS-35	20



DKM10-2

Rated Data	UL	IEC
Rated Voltage (V)	1000	1000
Rated Current (A)	255	269
Rated impulse voltage	8KV	
Wire range (AWG/mm ²)	10~250(kcmil)	6~120

Connection Capacity

Max. Solid (mm ²)	120	
Max. Stranded (mm ²)	120	

General Data

Torque (N.m)	10~20	
Screws	M10	
Insulation material	PA	
T / W (mm)	35.5 / 88	
H / H on TS-35 (mm)	70 / 71	
Package	10	

Accessories	Part number	Package
	DKMSPS-002	50
	DKMC10/12	50
	TM49W	10
	TS-35	20