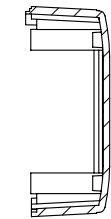
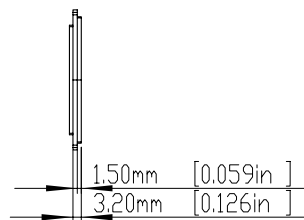
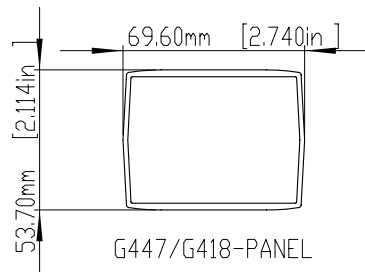
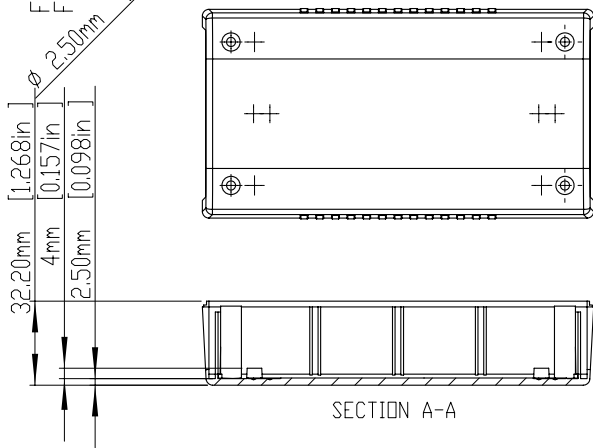
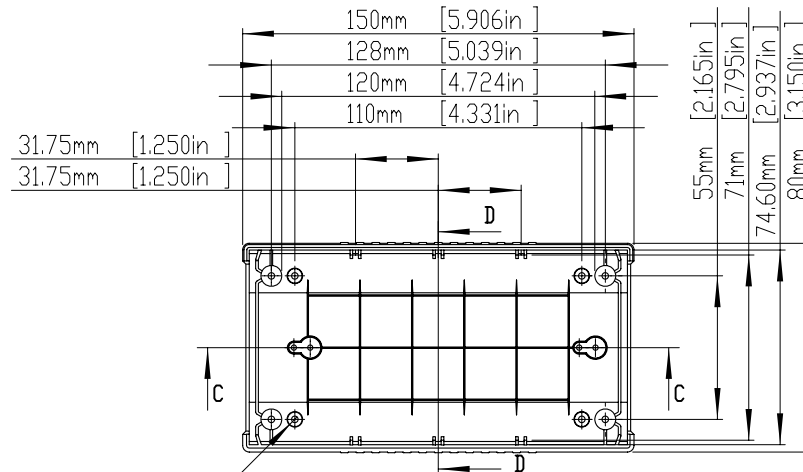


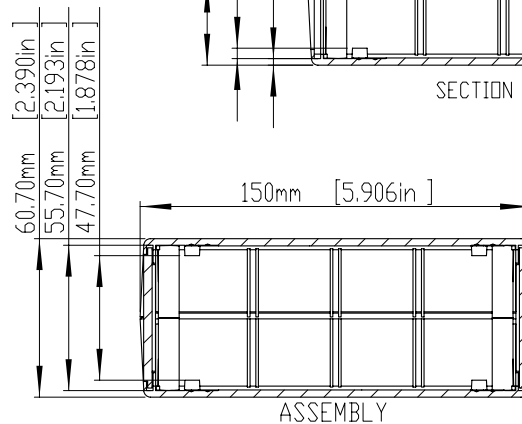
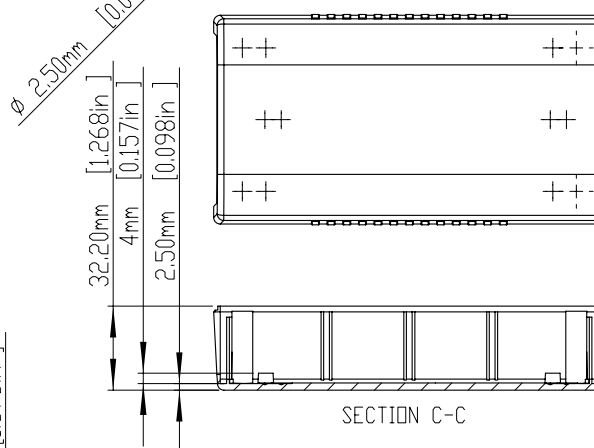
FOUR(4) M3X35mm
FLAT HEAD SCREWS



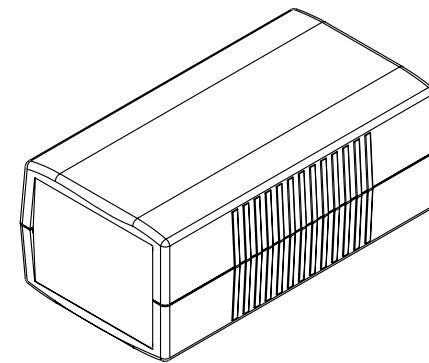
SECTION B-B



FOUR(4) M3X35mm
FLAT HEAD SCREWS



SECTION D-D



According to ISO 2768-m	
Measuring DIM=L	Tolerances
0.5<L≤3.0mm	±0.1mm
3.0<L≤6.0 mm	±0.1mm
6.0<L≤30.0 mm	±0.2mm
30.0<L≤120.0 mm	±0.3mm
120.0<L≤400.0 mm	±0.5mm
400.0<L≤1000.0 mm	±0.8mm

宣又實業有限公司
GAINTA INDUSTRIES LTD.

繪圖 DRA'D BY
JACKY

日期 DATE
2011/01/01

材質 MATE.
ABS

圖名TITLE:
G447 G418

圖號DWG NO:

版次REVISID:

B